

Part Number PRX+12220-0000

 Rev. C

### High Security Solid State Proximity Sensor

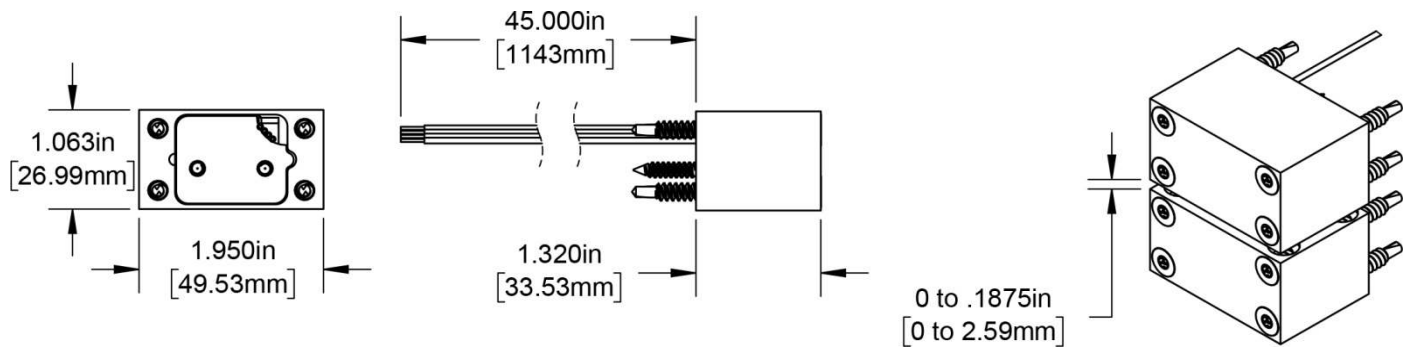
Features	Advantages
<ul style="list-style-type: none"> <li>• High sensitivity anti-tamper</li> <li>• Unique output for misalignment</li> <li>• Small footprint</li> <li>• UL 634 Level 2 Certified</li> <li>• ULC/ORD-C634 Level 2 Certified</li> </ul>	<ul style="list-style-type: none"> <li>• Solid state reliability</li> <li>• Insensitive to vibration and shock</li> <li>• Suitable for indoor or outdoor use</li> </ul>

### Electrical Specifications

Power		Watts - maximum	6
Voltage		VDC - maximum	30
Current		Amp - maximum	0.2
	Open Circuit Leakage	μAmp - maximum	10
Resistance	Closed Circuit Resistance	Ohm - maximum	.9
Temperature	Operating	°C	-35° to 70°
	Storage	°C	-35° to 70°

### Physical/Operational Specifications

Housing Material			Aluminum
Air Gap Range	Distance	Inches	0 to 0.1875
External Connection	22 AWG	UL 1007	PVC
Lateral Alignment	Distance	Inches	0.1875
Mounting Environment	Indoor or Outdoor	Ingress or Egress Doors	Ferrous or Nonferrous Surfaces
Mounting Orientation		Engraved targets must face each other	


**Notes:**

- (1) Specifications are not constant across entire magnetic range.
- (2) Customer must exercise care in handling and mounting to prevent damage to internal components and subsequent changes to sensor performance.
- (3) For information about performance, custom configurations (i.e. wire length or color; connectors; operational variation), or packaging contact our Sales Department.
- (4) Information contained hereon is for informational purposes only and should not be deemed as accurate for a specific application. Consult factory for specific application information and/or latest revision.
- (5) Options: housing color, alternate internal resistors, and/or alternate mounting hardware.
- (6) Additional Parts Included: 8 Self-drilling metal security screws (#10 x 2"), 2 Self-drilling metal security screws (#10 x 3/4"), 2 Spacers (1/16" Thick)
- (7) See Sentinel Instruction and Owner's Manual for additional information