

Item Number PRX+4400 Series Contact Form A Switch Configuration SPST Rev. F

Form A Low-Profile Ferrous Metal Sensor

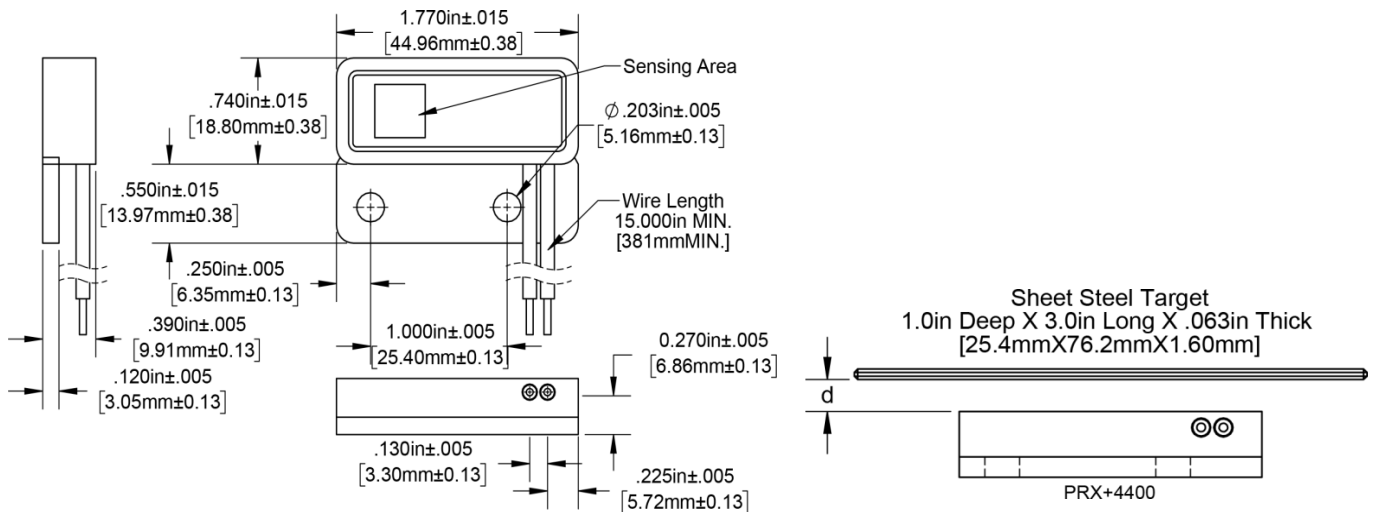
Features	Advantages
<ul style="list-style-type: none"> • Hermetically sealed Rhodium contacts • Materials are Lead free and RoHS compliant • Activated by common steel bolts, brackets, arms • Zinc Plated Leachant Seal Steel Housing 	<ul style="list-style-type: none"> • Component suitable for use within engine compartments of surface vehicle electrical systems for automobiles, boats, buses, RV's and trucks. • Custom sensitivity and configurations available • Extended operations in extreme environments • No physical contact required to operate

Electrical Specifications

Power		Watts - maximum	10
Voltage	Switching	VDC - maximum	50
	Breakdown	VDC - minimum	50
Current	Switching	Amp - maximum	0.25
	Carry	Amp - maximum	2.5
Resistance	Initial Contact Resistance	Ohm - maximum	1.0
	Insulation Resistance	Ohm - minimum	1 E11
Capacitance	Contact	pF - typical	0.8
Temperature	Operating	°C - maximum	+125
	Storage	°C	-40 to +125

Physical/Operational Specifications

Housing Volume	Excluding Connection	CC - nominal	10.3
External Connection	16 AWG	SAE J1128Type GXL	XLPE
Must Operate	Distance (d)	Inches minimum	.190
Must Release	Distance (d)	Inches maximum	.400
Operate Time	Including Bounce	mSeconds - maximum	1.00
Release Time		mSeconds - maximum	0.30



Notes:

- (1) Customer must exercise care in handling and mounting to prevent damage to internal components and subsequent changes to sensor performance.
- (2) For information about performance, custom configurations (e.g. wire length or color, connectors, operational variation) or packaging contact our Sales department.
- (3) Information contained hereon is for informational purposes only and should not be deemed as accurate use for a specific application. Consult factory for specific application information and/or latest revision.