

Item Number PRX+4100 Series Contact Form A Switch Configuration SPST Rev. F

Form A Ferrous Metal Proximity Sensor

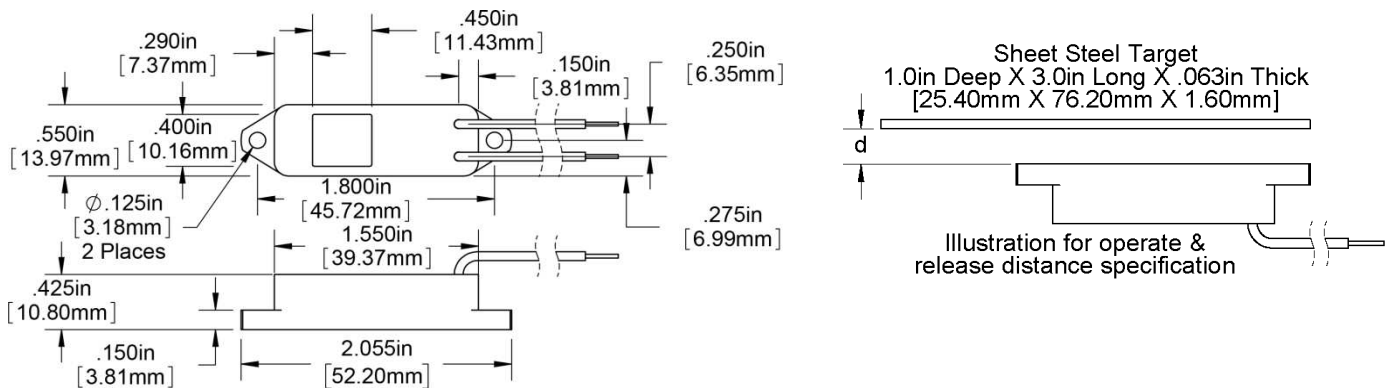
Features	Advantages
<ul style="list-style-type: none"> • Hermetically sealed Rhodium contacts • UL94 flame rated black ABS housing • Materials are Lead free and RoHS compliant • Form B version available 	<ul style="list-style-type: none"> • Extended operations in extreme environments • Not ESD sensitive • Sensing distance and sensing face can be customized • Patented design • Additional housing option available

Electrical Specifications

Power		Watts - maximum	10
Voltage	Switching	VDC - maximum	100
	Breakdown	VDC - minimum	200
Current	Switching	Amp - maximum	0.25
	Carry	Amp - maximum	2.5
Resistance	Initial Contact Resistance	Ohm - maximum	1.0
	Insulation Resistance	Ohm - minimum	1 E11
Capacitance	Contact	pF - typical	0.8
Temperature	Operating	°C - maximum	+80
	Storage	°C	-40 to +105

Physical/Operational Specifications

Housing Volume	Excluding Connection	CC - nominal	6.1
External Connection	20 AWG	UL 1007/1569	PVC
Must Operate	Distance (d)	Inches	0.250 to 0.350
Must Release	Distance (d)	Inches	Δ .100 Max.
Operate Time	Including Bounce	mSeconds - maximum	1.00
Release Time		mSeconds - maximum	0.30



Notes:

- (1) Customer must exercise care in handling and mounting to prevent damage to internal components and subsequent changes to sensor performance.
- (2) For information about performance, custom configurations (e.g. wire length or color, connectors, operational variation) or packaging contact our Sales department.
- (3) Information contained hereon is for informational purposes only and should not be deemed as accurate for a specific application. Consult factory for specific application information and/or latest revision.

