

Item Number PRX+1600 Series Contact Form A Switch Configuration SPST Rev. H

### Form A PC Board Proximity Sensor

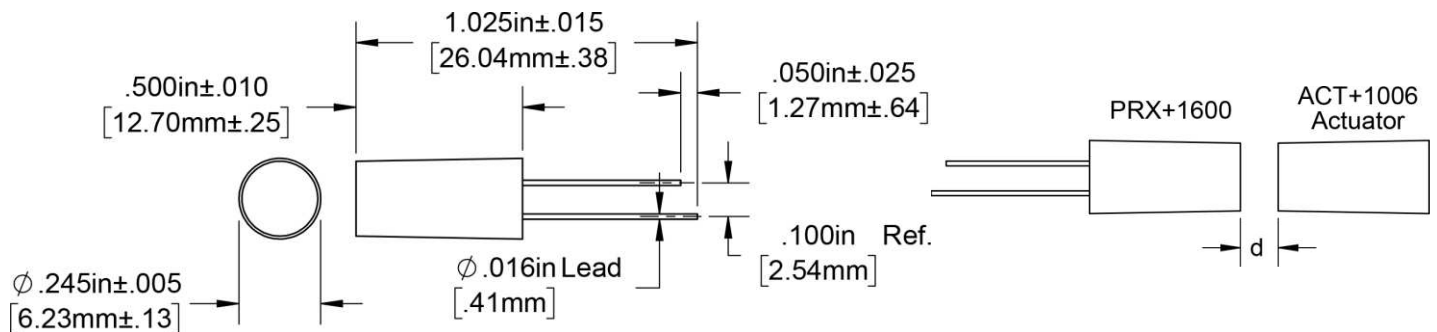
Features	Advantages
<ul style="list-style-type: none"> <li>• Hermetically sealed Rhodium contacts</li> <li>• Materials are Lead free and RoHS compliant</li> <li>• Designed for PCB through-hole mounting</li> </ul>	<ul style="list-style-type: none"> <li>• Extended operations in extreme environments</li> <li>• Not ESD sensitive</li> <li>• Custom sensitivity and configurations available</li> <li>• UL94 flame rated black Valox housing</li> </ul>

### Electrical Specifications

Power		Watts - maximum	4
Voltage	Switching	VDC - maximum	100
	Breakdown	VDC - minimum	200
Current	Switching	Amp - maximum	0.2
	Carry	Amp - maximum	2.0
Resistance	Initial Contact Resistance	Ohm - maximum	0.25
	Insulation Resistance	Ohm - minimum	1 E11
Capacitance	Contact	pF - typical	0.8
Temperature	Operating	°C - maximum	+125
	Storage	°C	-40 to +140

### Physical/Operational Specifications

Housing Volume	Excluding Connection	CC - nominal	0.39
External Connection		Leads	Tin
Must Operate	Distance (d)	Inches	0.125
Must Release	Distance (d)	Inches	0.400
Operate Time	Including Bounce	mSeconds - maximum	0.60
Release Time		mSeconds - maximum	0.10



#### Notes:

- (1) Customer must exercise care in handling and mounting to prevent damage to internal components and subsequent changes to sensor performance.
- (2) For information about performance, custom configuration (i.e. wire length or color; connectors; operational variation), or packaging contact our Sales Department.
- (3) Information contained hereon is for informational purposes only and should not be deemed as accurate for a specific application. Consult factory for specific application information and/or latest revision.