

Item Number PRX+0800 Series Contact Form B Switch Configuration SPST Rev. C

Form B Threaded Proximity Sensor

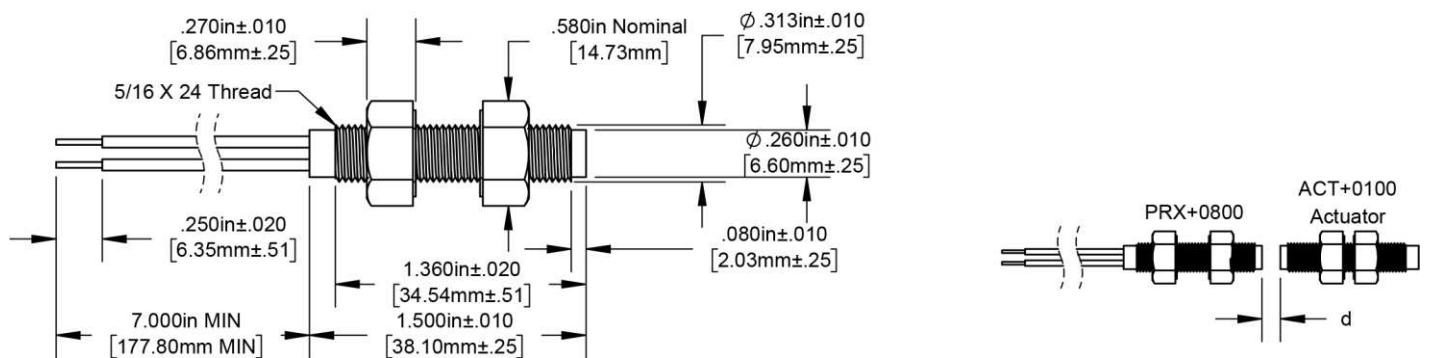
Features	Advantages
<ul style="list-style-type: none"> • Hermetically sealed Rhodium contacts • Position adjustable • SPST Normally Closed Contact (Form B) • Materials are Lead free and RoHS compliant 	<ul style="list-style-type: none"> • Extended operations in extreme environments • Not ESD sensitive • Custom sensitivity and configurations available • Simple installation

Electrical Specifications

Power		Watts - maximum	3
Voltage	Switching	VDC - maximum	120
	Breakdown	VDC - minimum	300
Current	Switching	Amp - maximum	0.25
	Carry	Amp - maximum	2.6
Resistance	Initial Contact Resistance	Ohm - maximum	0.25
	Insulation Resistance	Ohm - minimum	1 E9
Capacitance	Contact	pF - typical	1.7
Temperature	Operating	°C - maximum	+105
	Storage	°C	-40 to +140

Physical/Operational Specifications

Housing Volume	Excluding Connection	CC - nominal	1.9
External Connection	24AWG	UL 1007/1569	PVC
Must Operate	Distance (d)	Inches	0.200
Must Release	Distance (d)	Inches	0.750
Operate Time	Including Bounce	mSeconds - maximum	1.00
Release Time		mSeconds - maximum	0.80



Notes:

- (1) Customer must exercise care in handling and mounting to prevent damage to internal components and subsequent changes to sensor performance.
- (2) For information about performance, custom configuration (i.e. wire length or color; connectors; operational variation), or packaging contact our Sales Department.
- (3) Information contained hereon is for informational purposes only and should not be deemed as accurate for a specific application. Consult factory for specific application information and/or latest revision.